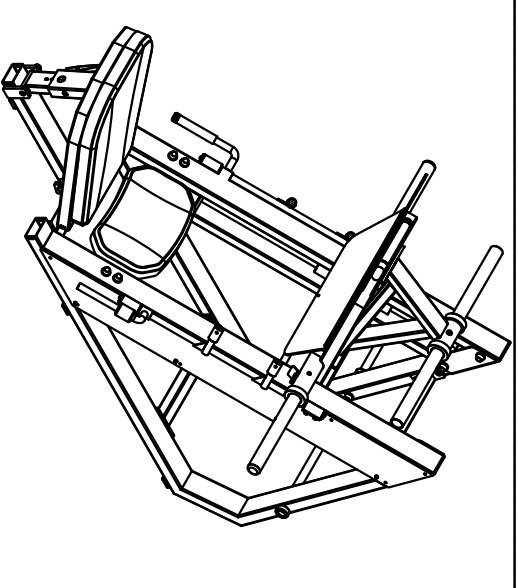
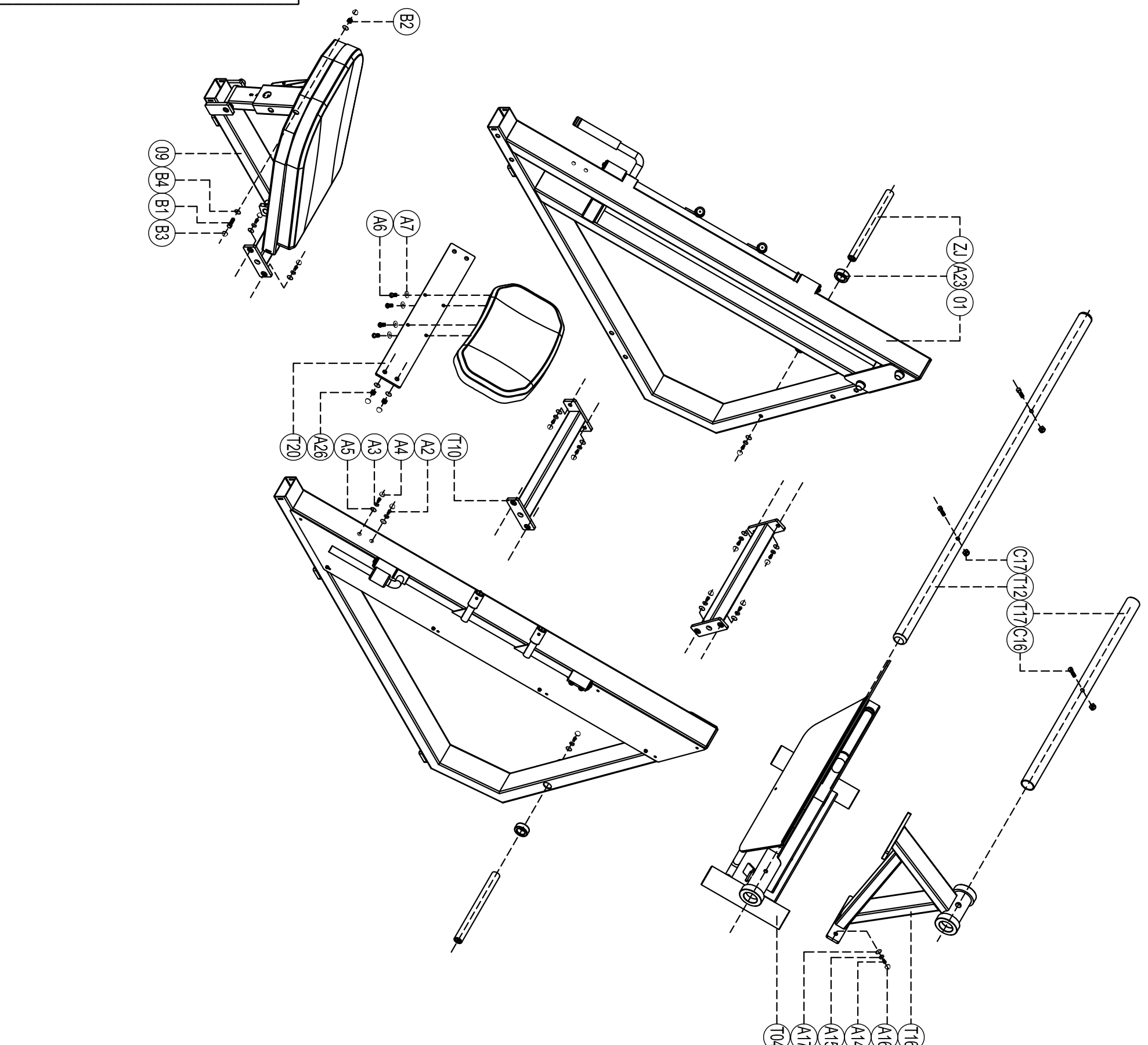


# Exploded

## E3056 Angled Press

please note :parts didn't demolitionde  
part and fast eners not listde on the  
introduction



serial number	name	quantity
C17	self lock nut M12	3
C16	Socket Cap inner hex M12x75	3
B4	Gasket Dø003	2
B3	Screw caps208	2
B2	self lock nut M10	1
B1	Hexagon socket head shoulder screws ø12x110	1
A26	self lock nut M12	4
A23	Cushion roller pumper S234	2
A17	Gasket Dø003	18
A16	Screw caps208	18
A15	Spring washerø12	18
A14	Outer hex screwm12x35	18
A7	Flat washer ø8,3xø20x1,5	4
A6	Cup head cross tapping screw M8x35	4
A5	Gasket Dø003	8
A4	Screw caps208	8
A3	Spring washerø12	4
A2	Outer hex screwm12x75	4
T20	Support board	1
T16	weight strack set	1
T17	Short Bar	1
T12	Bar	1
ZJ	Bar	2
T10	Middle enforcement set	2
09	Back support set	1
T04	Sliding adjustment	1
01	Main frame	2